



# GENUINE PARTS

## INSTALLATION INSTRUCTIONS

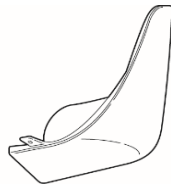
<b>DESCRIPTION:</b>	Splash Guard - Rear Kit
<b>APPLICATION:</b>	QX60
<b>PART NUMBER:</b>	999J2 R4xxx04 (x Designates color)

**KIT CONTENTS:**

Item	Qty.	Part Description	Service Part Number
A	1	Splash Guard - Rear Left	---
B	1	Splash Guard - Rear Right	---
C	1	Installation Instruction Replacement Template	999V2 AW000
D	1	Installation Hardware Kit	---
E	4	• Phillips Screw M5 x 20mm	14-51 00891
F	4	• Spring Nut M5	12-41 01011



A



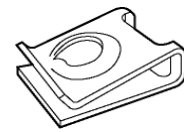
B



C



E



F

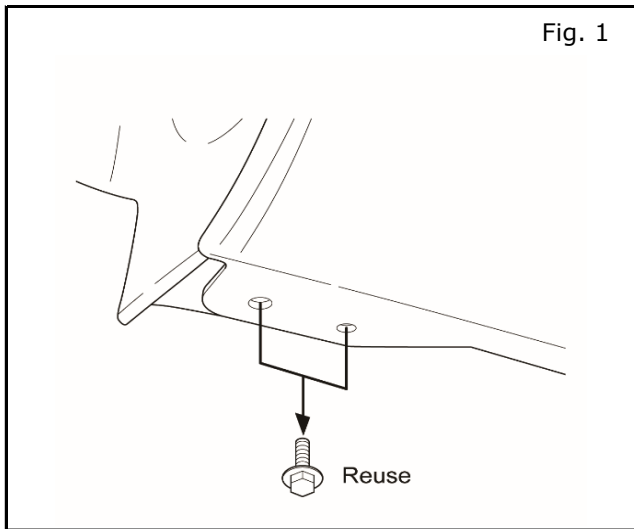
**TOOLS REQUIRED:**

- Phillips head short screwdriver
- Drill
- 3mm (1/8") drill bit
- 6mm (1/4") drill bit
- Clean, lint-free wiping cloth
- Mild soap / water mixture
- Masking tape

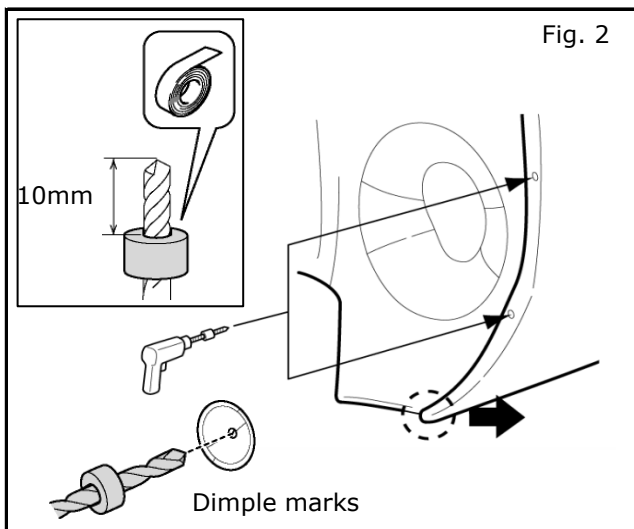
**PRE-INSTALLATION WARNINGS, CAUTIONS, CRITICAL STEPS, and NOTES:**

- Dealer Installation Recommended. Instructions may refer to Service Manual.
- These instructions are for left side of vehicle; same procedure applies to right side.

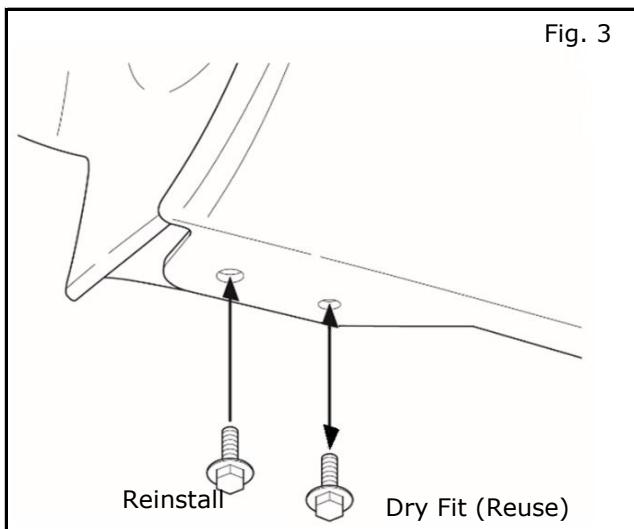
## INSTALLATION PROCEDURE:



1) Remove bolts from rear bumper.

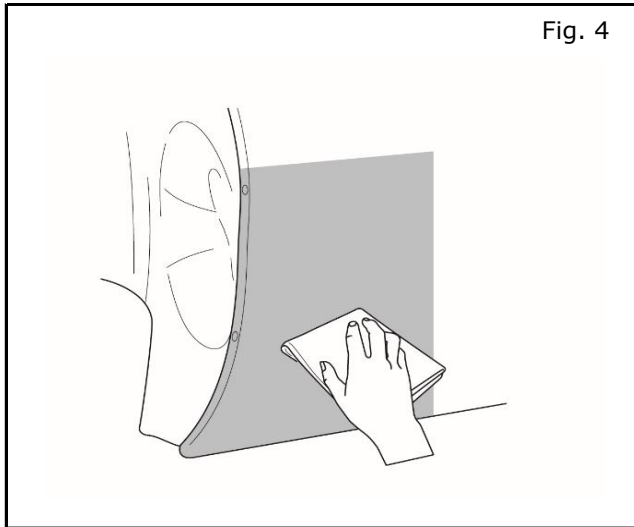


2) Pull out on bumper and Drill 3mm(1/8")→6mm(1/4") holes at 2 marked locations.

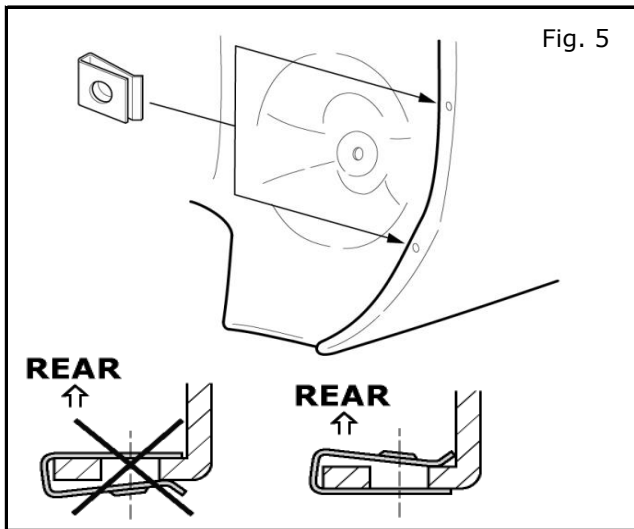


3) Loosely install rear bolt. Reinstall front bolt. Remove rear bolt.

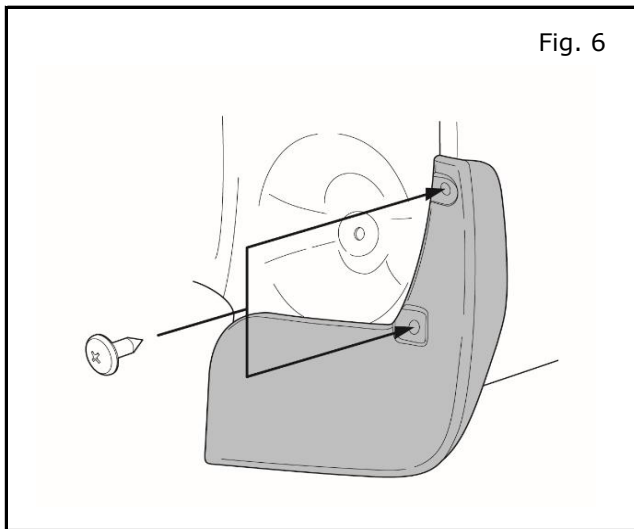
## INSTALLATION PROCEDURE:



- 4) Clean installation surface (shaded area) with mild soap/water mixture.

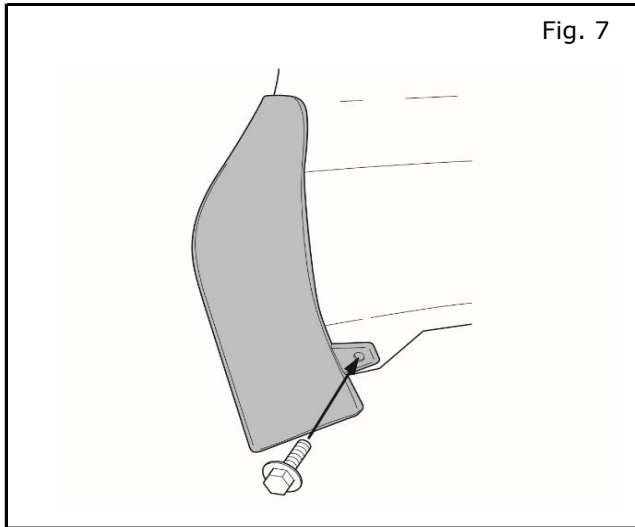


- 5) Install spring nuts.

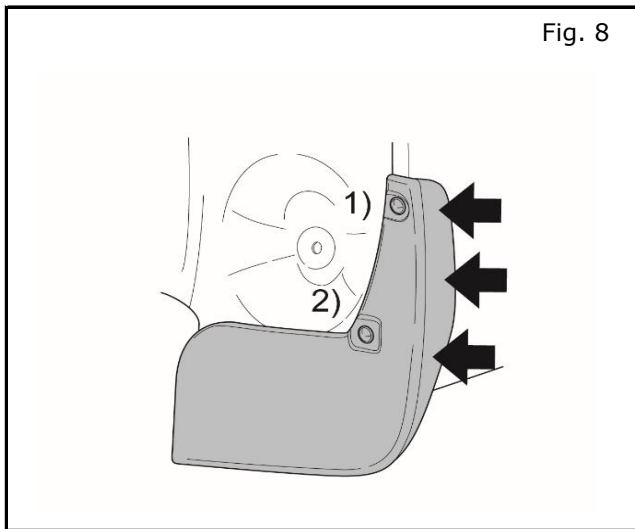


- 6) Loosely install screws.

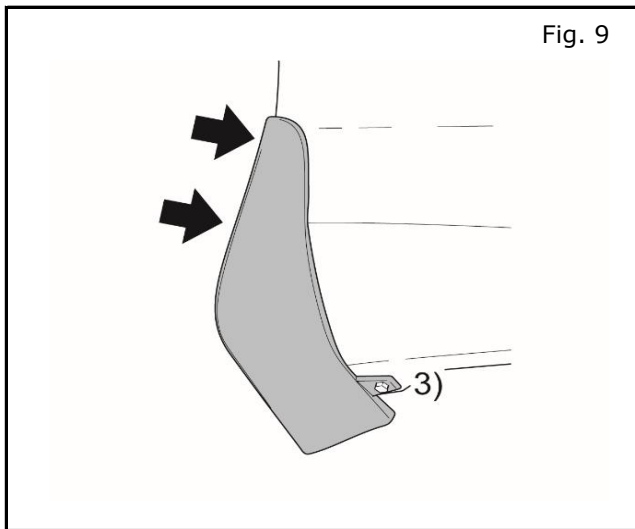
**INSTALLATION PROCEDURE:**



7) Loosely install bolt.

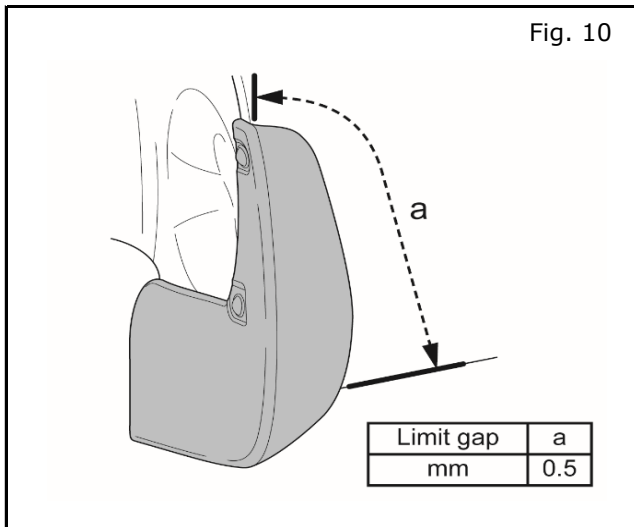


8) While pushing splash guard inward, tighten screws in sequence shown.



9) While pushing splash guard inward, tighten bolt #3 as show in Fig. 9.

## INSTALLATION PROCEDURE:



### ACCESSORY CHECK:

- Check all torque values.
- Check gap. See Fig.10.
- Clean the rear bumper near the installation areas of the vehicle.

### FINAL INSPECTION:

- Verify exterior is not damaged.